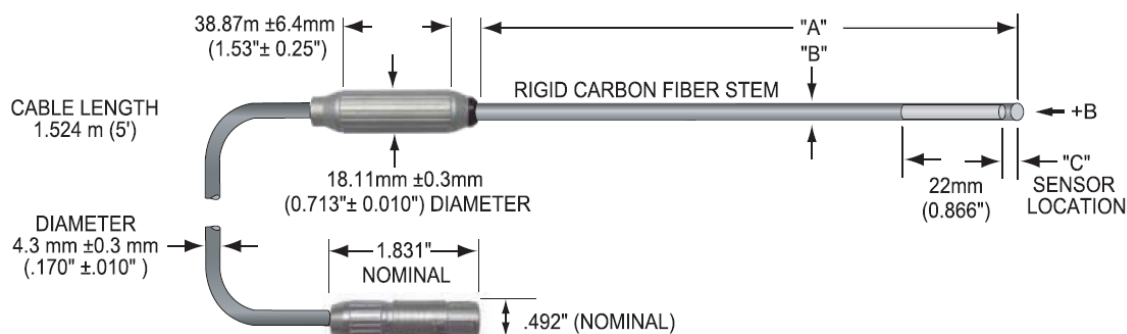


Gaussmeter probes 5100 series



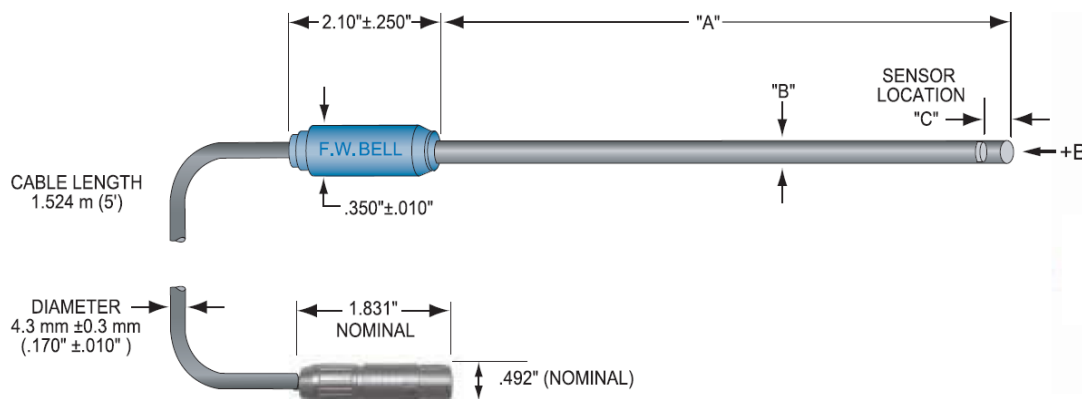
Contact

OECO
 4607 SE International
 Way
 Milwaukie, OR 97222
 USA

Low field axial specifications

The image above represents the model MOS51-3204 for low field axial probes that are part of the 5100 series probes. The main specifications are listed below:

- Stem length is 4"
- Stem material is rigid phenolic
- Linearity is 0.75 % / G
- Sensitivity is 1X
- Active area is 0.866" nominal
- Operating temperature is 0 to 75 °C
- Frequency response is DC to 700 Hz



Meggitt Sensing Systems

MEGGITT
 smart engineering for
 extreme environments



Your Complete Source for
 Testing Equipment Since 1969!

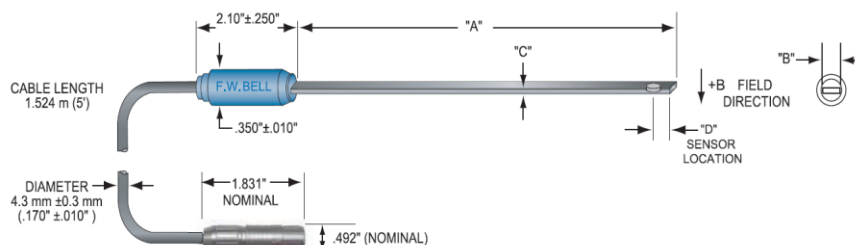
www.BergEng.com
 Berg Engineering & Sales Company, Inc.

1-847-577-3980
 Info@BergEng.com

Gaussmeter probes 5100 series

Axial specifications (see image above)

	<u>SAD18-1902</u>	<u>SAD18-1904</u>	<u>SAH17-1902</u>	<u>SAH17-1904</u>
A ± .063"	2"	4"	2"	4"
B		0.187" ± .006"		
C		0.010" nominal		
Stem material		Rigid phenolic		
Corrected linearity		0.5% / 30 kG		1.0% / 20 kG
Sensitivity		1X		
Active area		0.015" DIA nominal		
Operating temperature range		0° C to 75° C		
Temperature stability – zero		±0.300 Gauss / ° C		
Temperature stability – calibrate		-0.05 % / ° C		
Frequency response		DC to 20 kHz		DC to 10 kHz



Transverse specifications (see image above)

	<u>STD18-0402</u>	<u>STD18-0404</u>	<u>STH17-0402</u>	<u>STH17-0402</u>	<u>HTH17-0604</u>	<u>HTD18-0604</u>	<u>STB1X-0201</u>
A ± .063"	2"	4"	2"	4"	4"	4"	1"
B		0.158" ± .004"				0.180" ± .004"	0.5" ± .004"
C		0.0450" ± .004"				0.060" ± .004"	.020" max.
Stem material		Polypropylene				Aluminum	Kapton
Corrected linearity	0.5% / 30 kG			1.0% / 20 kG		0.5% / 30 kG	1.0% / 10 kG
Sensitivity				1X			
Active area			0.015" dia. nominal				0.025" dia.
Operating temperature				0° C to 75° C			
Temperature stability – zero			±0.300 Gauss / ° C				±0.2 Gauss / °C
Temperature stability – calibrate			-0.05 %/°C				-0.1 %/°C
Frequency response	DC to 20 kHz			DC to 10 kHz		DC to 20 kHz	DC only

Meggitt Sensing Systems

MEGGITT
 smart engineering for
 extreme environments



Your Complete Source for
 Testing Equipment Since 1969!

www.BergEng.com
 Berg Engineering & Sales Company, Inc.

1-847-577-3980
 Info@BergEng.com