






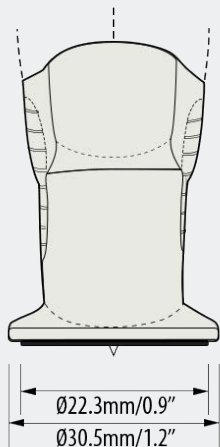
# PosiTector® **SPG** Probe Order Guide

		SPG	SPG S	SPG OS	SPG CS	SPG TS
Probes						
		Integral Probe	Cabled Probe			
Order Code		PRBSPG	PRBSPGS	PRBSPGOS	PRBSPGCS	PRBSPGTS
Application		Blasted Steel		Convex	Textured Coatings	Concrete Surface Profile
Measuring Range		0 – 500 µm 0 – 20 mils			0 – 1500 µm 0 – 60 mils	0 – 6 mm 0 – 250 mils
Accuracy		± (5 µm + 5%) ± (0.2 mil + 5%)				± (25 µm + 1%) ± (1 mil + 1%)
Tip	Angle	60 degree*			60 degree	
	Radius	50 µm (2 mils)			500 µm (20 mils)	

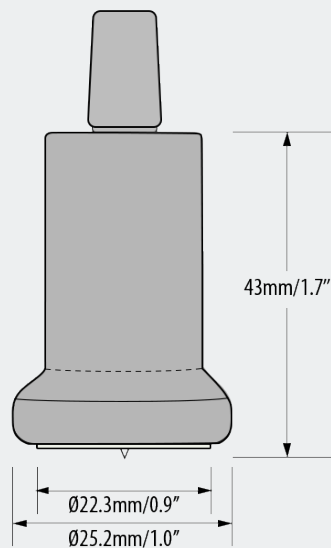
\* 30 degree tips available for conforming to Australian standards AS 3994.5-C

## Probe Dimensions

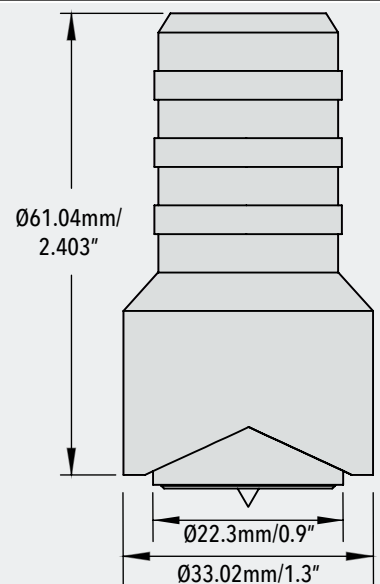
PosiTector SPG Probe



PosiTector SPGS,  
SPGCS, SPGTS Probes



PosiTector SPGOS



**DeFelsko**®  
The Measure of Quality

© DeFelsko Corporation USA 2019. All Rights Reserved. Technical Data subject to change without notice. • SPGPRB1905

  
Made in U.S.A.



Your Complete Source for  
Testing Equipment Since 1969!

[www.BergEng.com](http://www.BergEng.com)  
Berg Engineering & Sales Company, Inc.

1-847-577-3980  
Info@BergEng.com