

Product Information

Height Gages

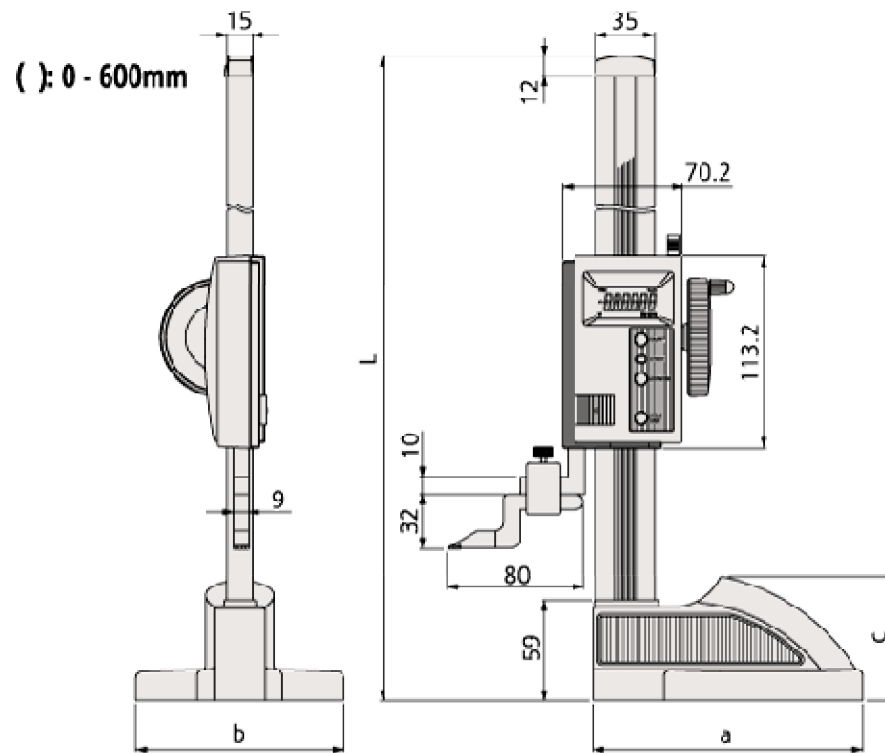
Product Overview

- Electronic Media Info
- Metrology Knowledge
- Contact Us

ABSOLUTE Digimatic Height Gage Series 570-with ABSOLUTE Linear Encoder.

Series 570

LINE DRAWINGS



Range	L	a	b	c	Mass(kg)
0 - 12"300mm	507	160	122	72.6	4.6
0 - 18"450mm	662	181	142	74.1	5.9
0 - 24"600mm	812	181	142	74.1	6.4

[Return to List of Line Drawings](#)